

THIS DRAWING IS UNPUBLISHED. RELEASED FOR PUBLICATION  
 © COPYRIGHT BY TYCO ELECTRONICS CORPORATION. ALL RIGHTS RESERVED.

LOC	DIST	REVISIONS					
AJ	16	P	LTR	DESCRIPTION	DATE	DWN	APVD
		F		REV PER EC 0S14-0457-04	21SEPT05	TS	JL

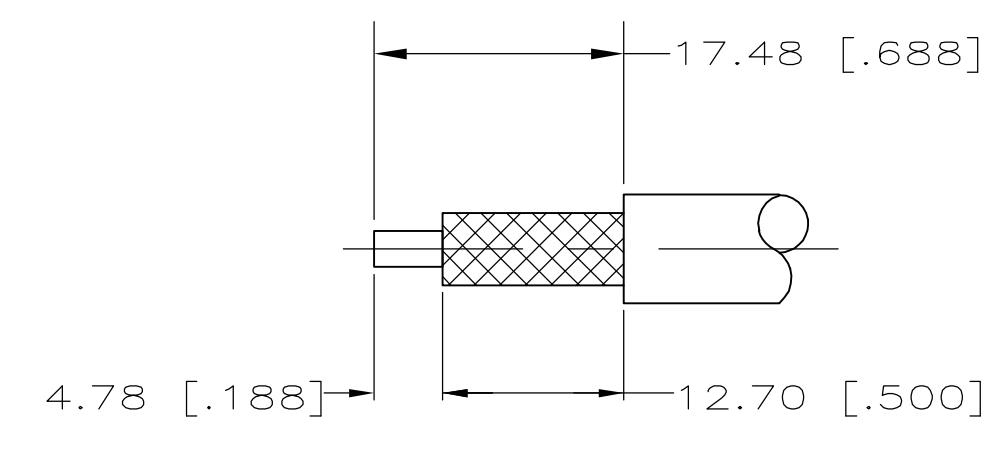
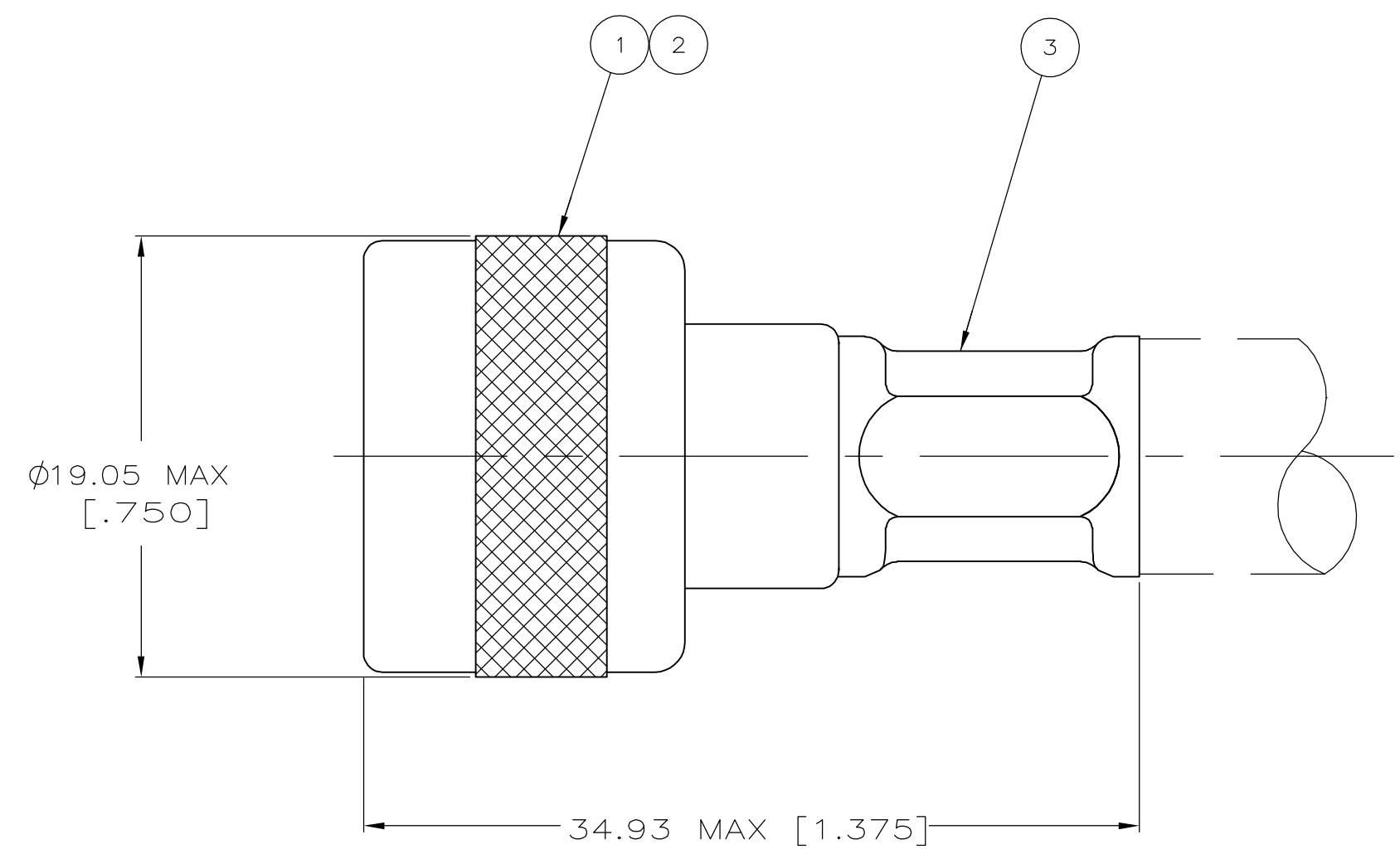


FIG 1

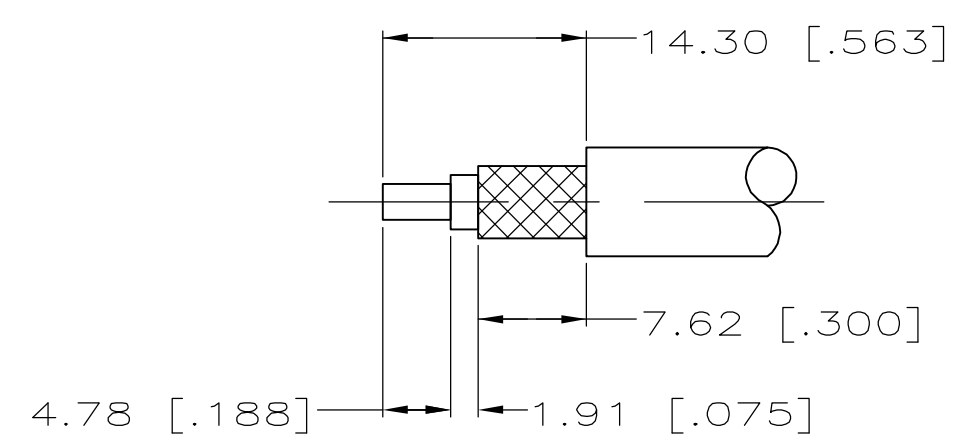


FIG 3

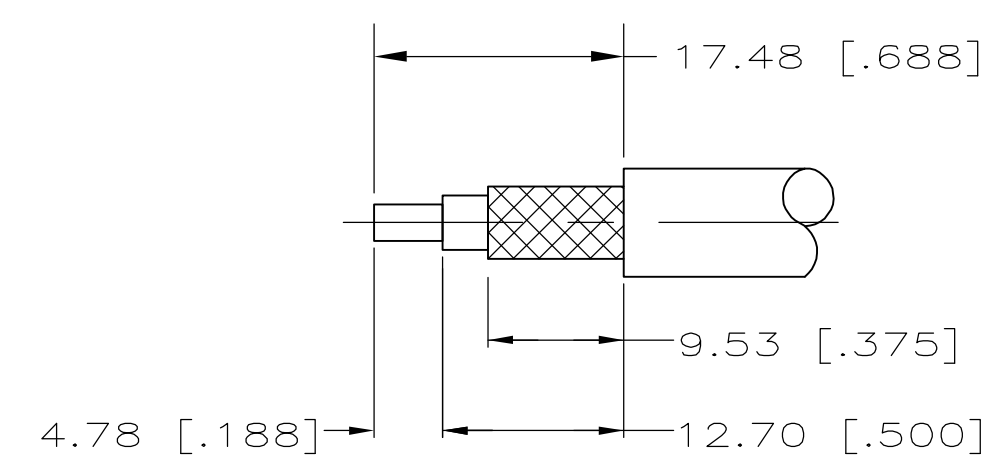


FIG 2

RECOMMENDED STRIP LENGTHS

1. USE HAND TOOL: PRO-CRIMPER #58434-1

	58485-1	FIG 2	RG-9/U & 214/U	CONTACT=.100;BRAID=.429	9-221132-5	414116-4	227112-1	9-414160-0
OBSOLETE	58436-1	FIG 3	RG-58/U & BELDEN YR20621	CONTACT=.068;BRAID=.213	9-221132-0	414164-4	227112-6	414160-9
OBSOLETE	58436-1	FIG 3	RG-59/U & 62/U	CONTACT=.068;BRAID=.255	2-221132-0	414164-6	227112-5	414160-8
	58436-1	FIG 3	RG-55/U,142/U & 223/U	CONTACT=.068;BRAID=.213	2-221132-6	414164-4	227112-6	414160-7
OBSOLETE	58485-1	FIG 2	RG-216/U	CONTACT=.068;BRAID=.429	2-221132-9	414164-2	227112-1	414160-6
	58485-2	FIG 2	RG-393/U	CONTACT=.128;BRAID=.429	9-221132-5	414163-2	227112-3	414160-5
OBSOLETE	58485-2	FIG 1	BELDEN 8214	CONTACT=.128;BRAID=.429	9-221132-8	414163-4	227112-3	414160-4
OBSOLETE	58485-1	FIG 2	BELDEN 9880	CONTACT=.100;BRAID=.429	9-221132-5	414116-4	227112-1	414160-3
OBSOLETE	58485-1	FIG 2	RG-9/U & 214/U	CONTACT=.100;BRAID=.429	9-221132-5	414116-4	227112-1	414160-2
OBSOLETE	58485-1	FIG 1	RG-8/U & 213/U	CONTACT=.100;BRAID=.429	2-221132-3	414116-4	227112-1	414160-1

DIE SET	STRIP LENGTH	FOR USE WITH:	HEX CRIMP HEIGHTS IN INCHES	③ FERRULE QTY=1	② CONTACT QTY=1	① PLUG ASSY QTY=1	PART NO
---------	--------------	---------------	-----------------------------	--------------------	--------------------	----------------------	---------

THIS DRAWING IS A CONTROLLED DOCUMENT.

DIMENSIONS: mm [INCHES]	TOLERANCES UNLESS OTHERWISE SPECIFIED:	DWN M. SNEED 3-22-91	Tyco Electronics Corporation Harrisburg, PA 17105-3608																		
<table border="1"> <tr><td>0 PLC</td><td>± -</td></tr> <tr><td>1 PLC</td><td>± -</td></tr> <tr><td>2 PLC</td><td>± -</td></tr> <tr><td>3 PLC</td><td>± 0.41 [.016]</td></tr> <tr><td>4 PLC</td><td>± -</td></tr> </table>	0 PLC	± -		1 PLC	± -	2 PLC	± -	3 PLC	± 0.41 [.016]	4 PLC	± -	<table border="1"> <tr><td>FINISH</td><td>-</td></tr> </table>	FINISH	-	<table border="1"> <tr><td>CHK</td><td>R. HENRY</td><td>8-6-91</td></tr> <tr><td>APVD</td><td>R. HENRY</td><td>08-06-91</td></tr> </table>	CHK	R. HENRY	8-6-91	APVD	R. HENRY	08-06-91
0 PLC	± -																				
1 PLC	± -																				
2 PLC	± -																				
3 PLC	± 0.41 [.016]																				
4 PLC	± -																				
FINISH	-																				
CHK	R. HENRY	8-6-91																			
APVD	R. HENRY	08-06-91																			
MATERIAL	-	PRODUCT SPEC	PLUG, HEX CRIMP, COMMERCIAL, SERIES N																		
		APPLICATION SPEC																			
		WEIGHT	SIZE CAGE CODE DRAWING NO RESTRICTED TO																		
		CUSTOMER DRAWING	A2 00779 C-414160 -																		
		SCALE 4:1	SHEET 1 of 1 REV F																		